

CIP3/4 Ink Fountains Preset from PrePress Data

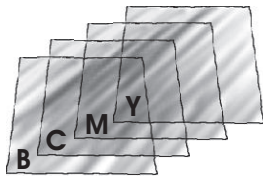
DIPS - Digital Ink Preset System

Pressroom: Sun Keung Printing Co., Shenzhen, China

Date of the Installation: November 2007

PrePress

CTP Screen



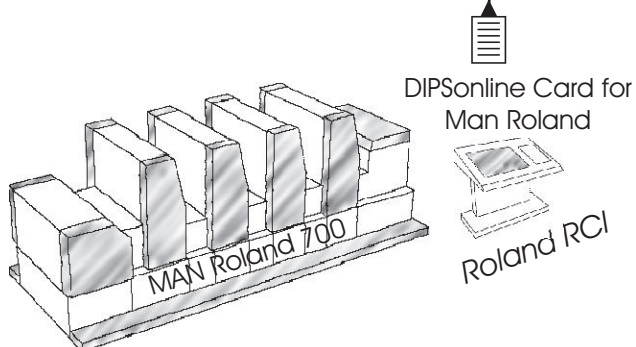
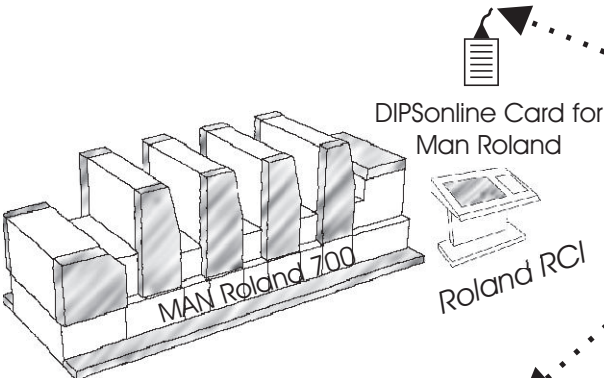
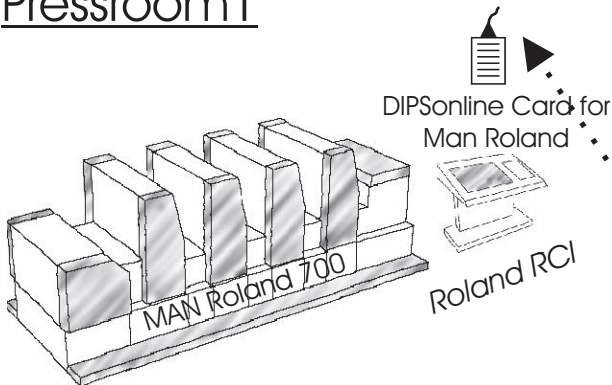
Printing plates

Workflow Trueflow



Network connection

Pressroom 1



Press PC with DIPS TIFF Converter and Ink Preset Software.

DIPS CIP3 Converter reads TIFF pre press files from Trueflow and converts ink coverage information.

Ink Preset Software calculates ink preset values from ink coverage information for the presses

Online connections to the presses

Floppy disk emulator for KBA

KBA console

